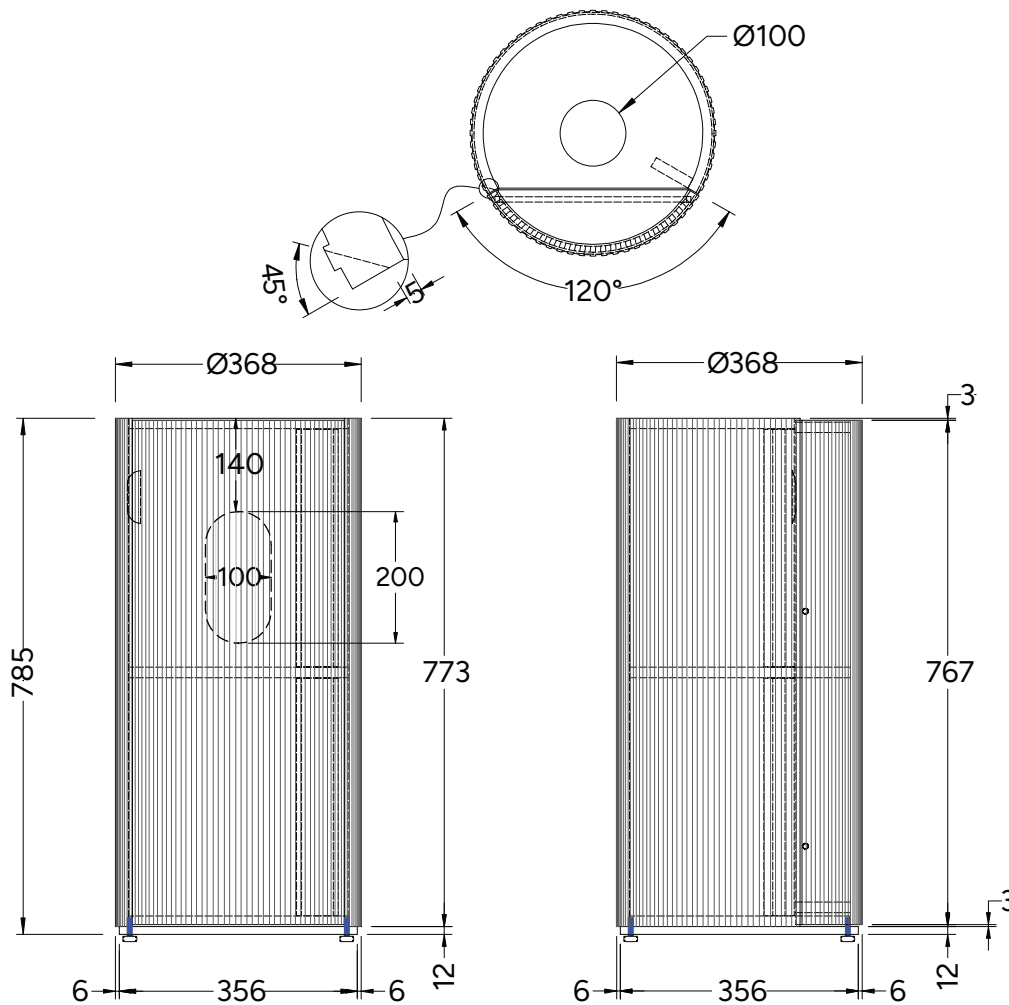


# Sora Timber Pedestal Vanity

## INSTALLATION INSTRUCTIONS



### Product Specifications

VANITY DIMENSIONS

785mm (H) x 368mm (Ø)

CONSTRUCTION

Plywood with stained timber veneer

BASIN INSTALLATION

Surface mount only

WASTE OUTLET

Rear connection (through back of vanity)

## BEFORE INSTALLATION

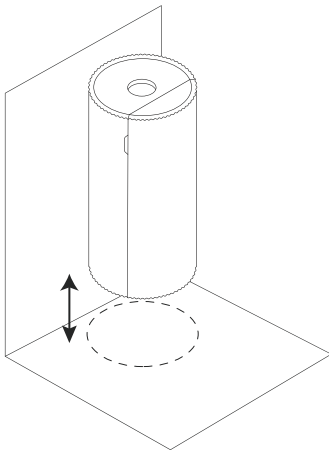
1. **Inspect the product** for any damage or defects prior to installation.
2. **Confirm dimensions and clearances** to ensure compatibility with your basin, wall outlet position and tapware.
3. **Flush pipework** before any connection to remove debris.
4. Installation must comply with **AS/NZS 3500 Plumbing Standards and all relevant local regulations.**

## INSTALLATION STEPS

### 1. Positioning the Vanity

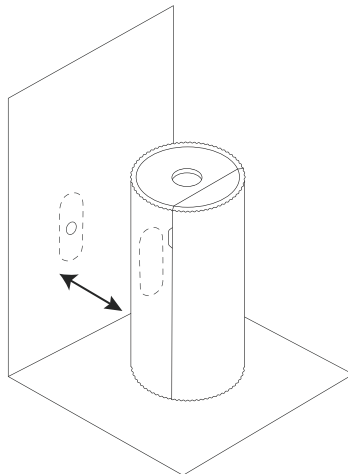
Mark the desired location on the floor, ensuring the waste outlet aligns with the rear opening of the vanity.

Check the floor is level. If uneven, adjust or pack the base to ensure the vanity stands upright and stable.



### 2. Align Waste & Water

Remove vanity and align and plan out the waste connection, adjust if required.



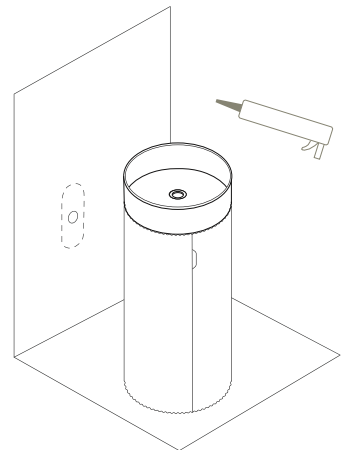
### 3. Installing the Vessel Basin

Clean the top surface of the vanity thoroughly.

Apply a continuous bead of clear sanitary-grade silicone around the base of the vessel basin.

Position the basin carefully in the desired location and press down gently to create a uniform seal.

Remove access silicone immediately. Allow silicone to cure as per manufacturers instructions. (Typically 24 hours).

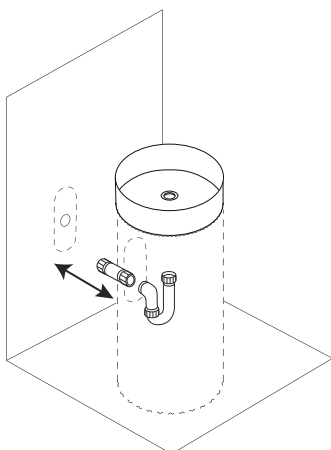


### 4. Waste & Water Connections

Ensure the connection is watertight and accessible for future maintenance.

Ensure adequate fall for waste pipe to wall for drainage.

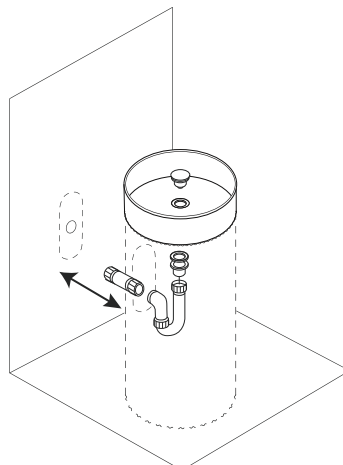
\*Recommend using a flexible trap waste connector.



### 5. Final Connections

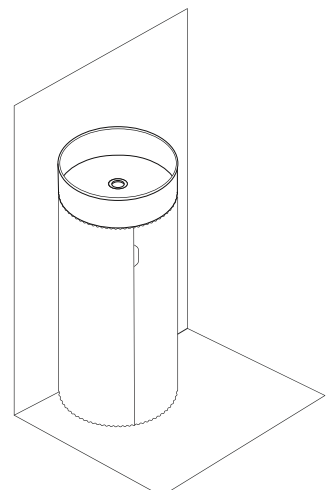
Relocate the vanity back into position and install the waste fitting through the basin and connect to the trap below, ensuring the seal is tight.

Optional - apply silicone to bottom levelling feet.



### 6. Final Check

Check all joints for leaks and confirm smooth water flow.



## CARE & MAINTENANCE

Avoid excessive moisture contact with timber surfaces.

Wipe down with a soft cloth and mild soapy water.

Do not use harsh chemicals or abrasive cleaners.

Re-seal exposed timber edges periodically to maintain protection.



**Note:**

Installation must be carried out by a licensed plumber. Incorrect installation may void warranty.