

PRODUCT SPECIFICATION SHEET

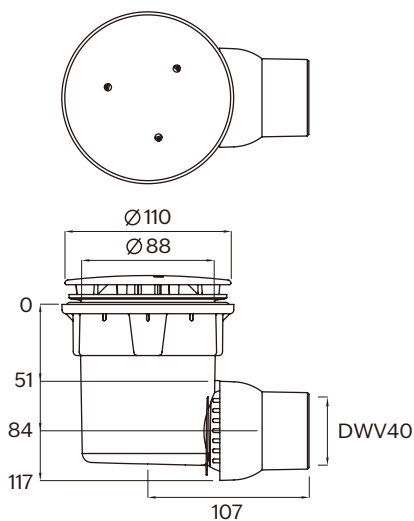
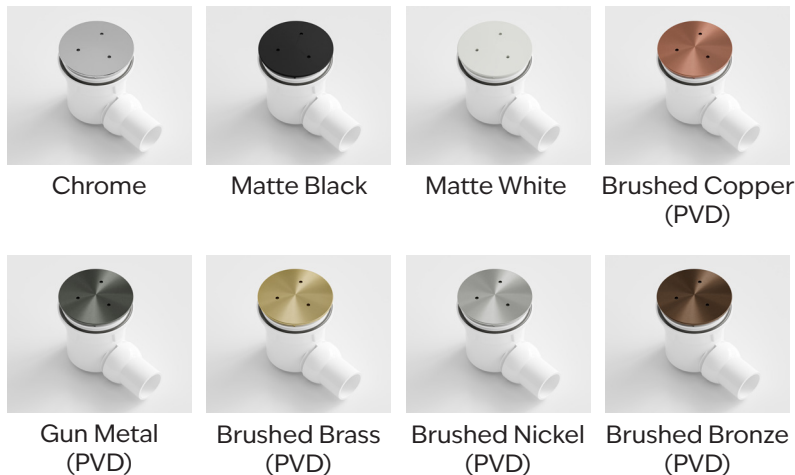


VERSA EASY CLEAN SHOWER WASTE 90MM

Model: CSW-10
 Inlet: 90mm
 Outlet: 40mm
 Water seal: 75mm

Flow rate: 28-32 l/min
 Warranty: 7 years
 Note: Suitable for acrylic shower tray systems. Solvent welds over 40mm and inside 50mm DWV pipe, compliant with AS/NZS 1260

Colour Range:



Note: All measurements shown are in millimetres. Sizes are nominal.

Distributed by:

CODE
 INTERIORS

In accordance with our continuous product development, Code interiors sizes and specifications outlined in these specifications are subject to change without notice. Information detailed in this document represents the actual product available at the time of printing this sheet. For the latest version of this technical sheet please visit www.codeinteriors.co.nz or contact your nearest stockist to confirm any questions prior to purchase.

sales@codeinteriors.co.nz | 09 973 4066 | www.codeinteriors.co.nz