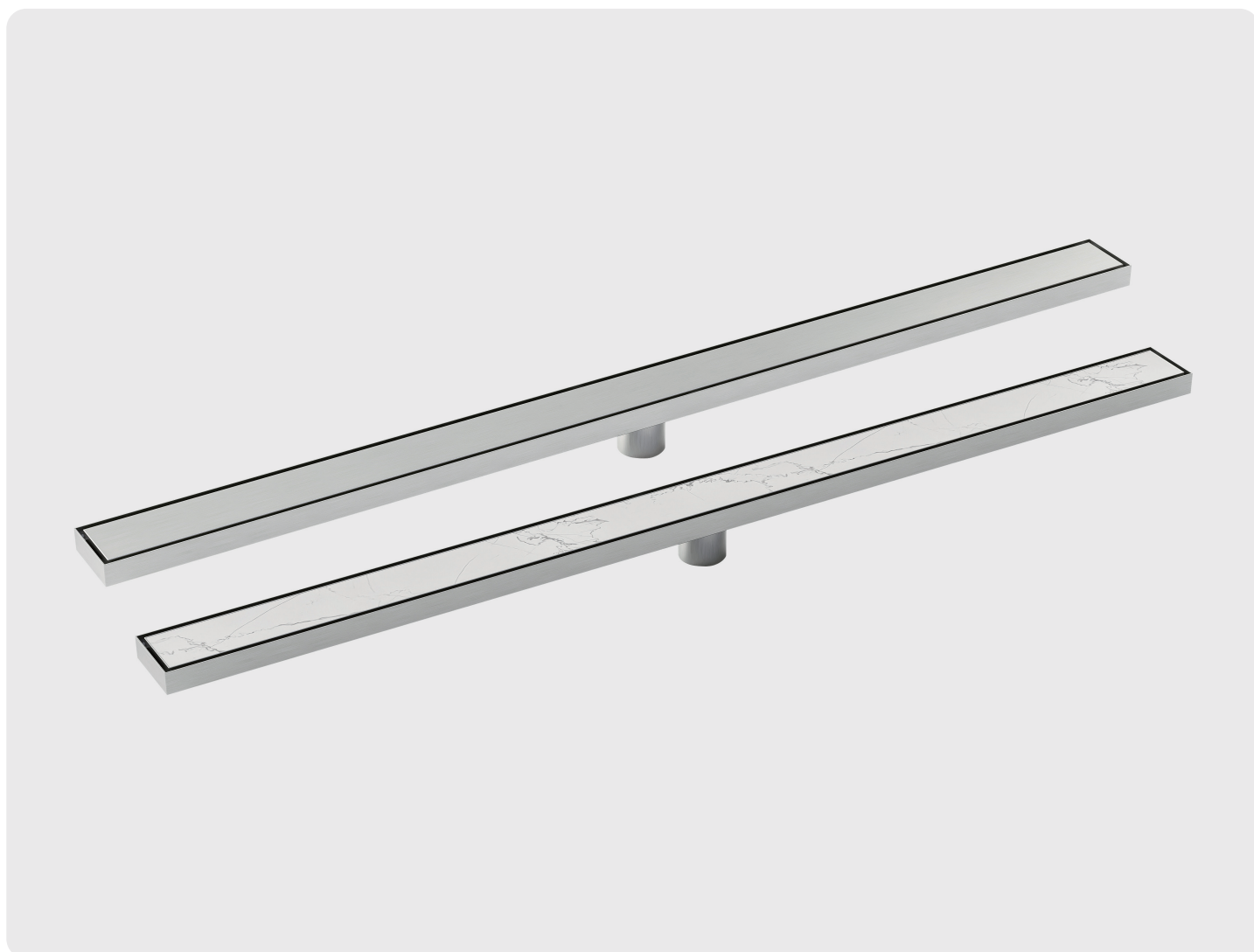


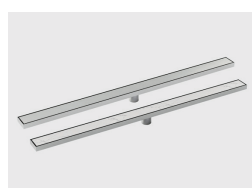
PRODUCT SPECIFICATION SHEET



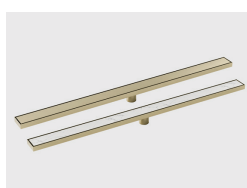
VERSA CHANNEL DRAIN 1200

| | | | |
|---------------|---------------------|-----------|---|
| Model: | 2-FCT11200 | Warranty: | 10 years |
| Size: | 1200 x 75 x 25 | Note: | Features reversible design, allowing metal insert & tile insert options, includes 80mm puddle flange & hair catcher |
| Material: | 304 Stainless Steel | | |
| Waste outlet: | 50mm Ø | | |

Colour Range:



Brushed Stainless



Brushed Brass



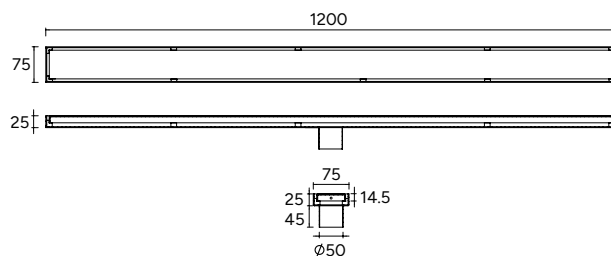
Brushed Copper



Matte Black



Gunmetal



Note: All measurements shown are in millimetres. Sizes are nominal.

Distributed by:

CODE
INTERIORS

In accordance with our continuous product development, Code interiors sizes and specifications outlined in these specifications are subject to change without notice. Information detailed in this document represents the actual product available at the time of printing this sheet. For the latest version of this technical sheet please visit www.codeinteriors.co.nz or contact your nearest stockist to confirm any questions prior to purchase.

sales@codeinteriors.co.nz | 09 973 4066 | www.codeinteriors.co.nz