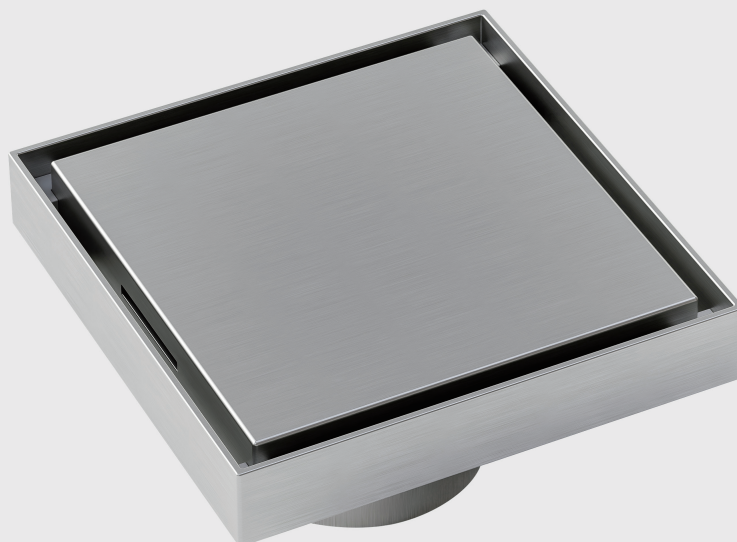


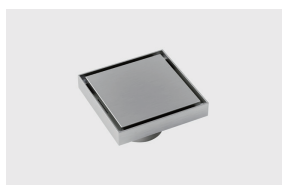
# PRODUCT SPECIFICATION SHEET



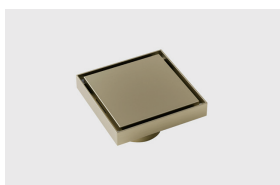
## SLIMLINE POINT DRAIN SHOWER WASTE 110

Model:	PD-TC-3-110	Warranty:	10 years
Size:	110 x 110 x 14	Note:	Includes hair catcher
Material:	304 Stainless Steel		
Waste outlet:	50mm Ø		

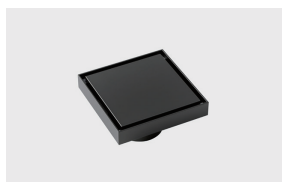
### Colour Range:



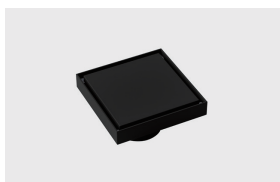
Brushed Stainless



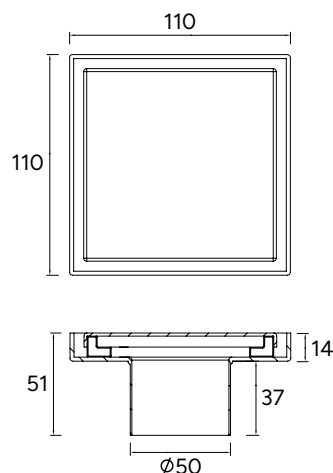
Brushed Brass



Gunmetal



Matte Black



Note: All measurements shown are in millimetres. Sizes are nominal.

Distributed by:

CODE  
INTERIORS

In accordance with our continuous product development, Code interiors sizes and specifications outlined in these specifications are subject to change without notice. Information detailed in this document represents the actual product available at the time of printing this sheet. For the latest version of this technical sheet please visit [www.codeinteriors.co.nz](http://www.codeinteriors.co.nz) or contact your nearest stockist to confirm any questions prior to purchase.

[sales@codeinteriors.co.nz](mailto:sales@codeinteriors.co.nz) | 09 973 4066 | [www.codeinteriors.co.nz](http://www.codeinteriors.co.nz)