

PRODUCT SPECIFICATION SHEET



PREMIERE 304SS STANDARD BASIN TAP

Model: PT-33000
Material: 304 Stainless Steel
WELS rating: 5-Star
Installation: Bench mount

Pressure type: Mains pressure only
Warranty: 10 years

Colour Range:



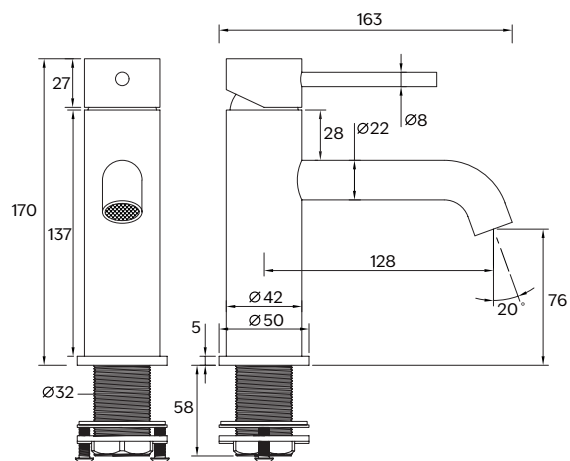
Chrome



Brushed Nickel
(PVD)



Gunmetal
(PVD)



Note: All measurements shown are in millimetres. Sizes are nominal.

Distributed by:

CODE
INTERIORS

In accordance with our continuous product development, Code interiors sizes and specifications outlined in these specifications are subject to change without notice. Information detailed in this document represents the actual product available at the time of printing this sheet. For the latest version of this technical sheet please visit www.codeinteriors.co.nz or contact your nearest stockist to confirm any questions prior to purchase.

sales@codeinteriors.co.nz | 09 973 4066 | www.codeinteriors.co.nz