

PRODUCT SPECIFICATION SHEET



PREMIERE 304SS SHOWER MIXER

Model:
Material:
Installation:

PT-K191
304 Stainless Steel
Wall mount

Pressure type:
Warranty:

Mains pressure only
10 years

Colour Range:



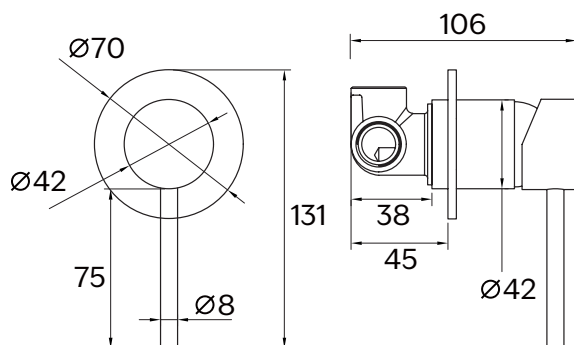
Chrome



Brushed Nickel
(PVD)



Gunmetal
(PVD)



Note: All measurements shown are in millimetres. Sizes are nominal.

Distributed by:

CODE
INTERIORS

In accordance with our continuous product development, Code interiors sizes and specifications outlined in these specifications are subject to change without notice. Information detailed in this document represents the actual product available at the time of printing this sheet. For the latest version of this technical sheet please visit www.codeinteriors.co.nz or contact your nearest stockist to confirm any questions prior to purchase.

sales@codeinteriors.co.nz | 09 973 4066 | www.codeinteriors.co.nz

2026/01