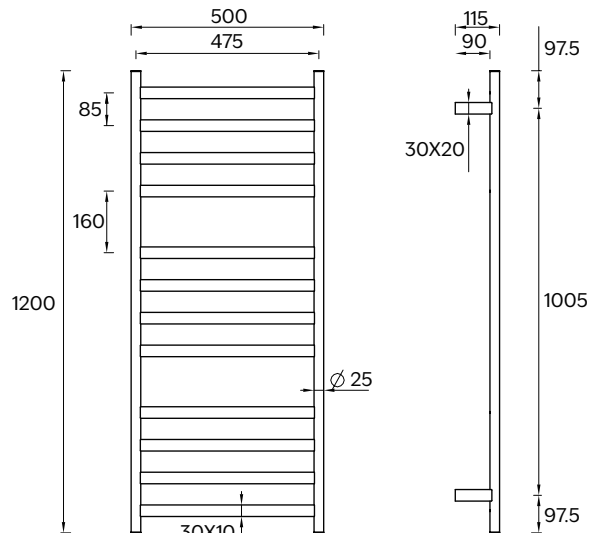




## LINEARE HEATED TOWEL LADDER 1200X500

Model:	CTL-R12-5	IP Rating:	IP55
Size:	1200h x 500w	Warranty:	5 years
Material:	304 Stainless Steel	Weight:	5.8Kg
Voltage:	230V~50Hz	Note:	Dual wiring options, bottom left or right concealed or exposed.
Power:	98W		

### Colour Range:



Note: All measurements shown are in millimetres. Sizes are nominal.