

PRODUCT SPECIFICATION SHEET



*Additional vanity top options available.

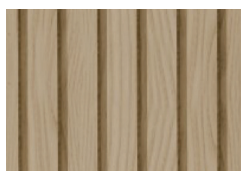
ARIA 750 SINGLE DRAWER VANITY

Model:	CARV-12-1-750	Warranty:	5 years
Size:	740 x 485 x 460	Drawer runners:	Hettich soft close
Installation:	Wall hung	Weight:	30Kg
Material:	Plywood, Ash timber veneer	Note:	Included internal makeup drawer
Finish:	Stained ash timber veneer or white lacquer w/ matte protective coating		

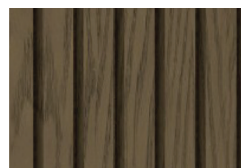
Colour Range:



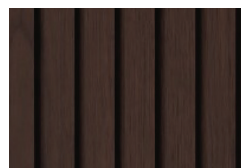
Matte White



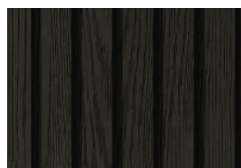
Light Ash



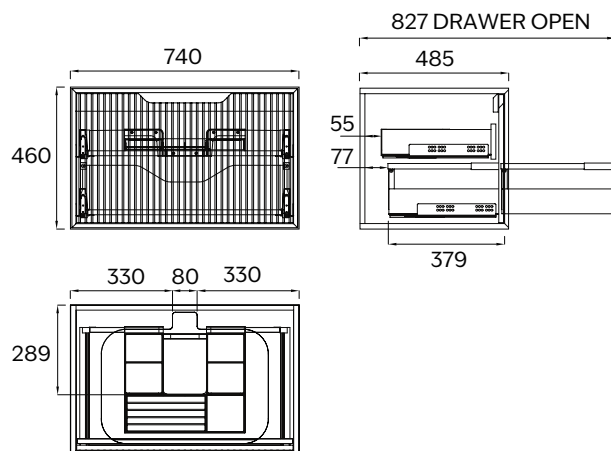
Smoked Ash



Walnut Ash



Dark Ash



Note: All measurements shown are in millimetres. Sizes are nominal.

Distributed by:

CODE
INTERIORS

In accordance with our continuous product development, Code interiors sizes and specifications outlined in these specifications are subject to change without notice. Information detailed in this document represents the actual product available at the time of printing this sheet. For the latest version of this technical sheet please visit www.codeinteriors.co.nz or contact your nearest stockist to confirm any questions prior to purchase.

sales@codeinteriors.co.nz | 09 973 4066 | www.codeinteriors.co.nz