

CODE
INTERIORS



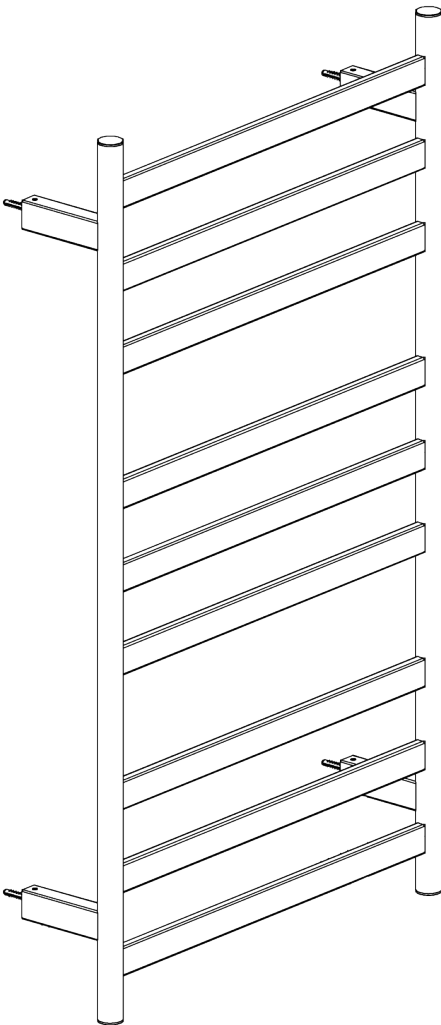
INSTALLATION GUIDE

Code Lineare Heated Towel Ladder

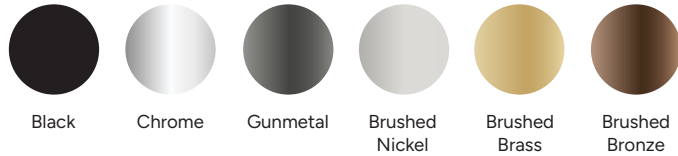
! IMPORTANT - Please read instructions prior to installation.

Introduction

The Code Lineare Ladder range has been designed in New Zealand by industry professionals to represent outstanding quality and a timeless design to compliment all bathroom styles.



Colour Finishes:



Specifications:

Ingress Protection: IP55

Material: 304 Stainless Steel

Power Supply: 230V~50Hz Single Phase

Wattage:

900h x 500w (74W)

1050h x 650w (98W)

1200h x 500w (98W)

Wiring: Through RH or LH lower leg. Both concealed and exposed options included.

Standards: Manufactured and tested to AS/NZS 60335.2.43

Warranty Term: 5 Year Domestic Warranty.
1 Year Commercial Warranty.

Safety Information

Please follow the basic safety instructions when you use our electric heated towel rail / ladder products.

Please read these instructions carefully. Keep them handy for future reference.

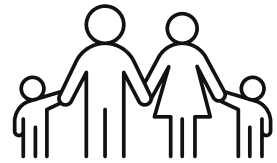


DO NOT immerse in any liquid.

DO NOT allow the power cord to make contact with any hot surface when it is working.



Check the product thoroughly **BEFORE** installation. If there is a problem, bring it to the attention of the wholesaler immediately.



WARNING: The bottom of this product **MUST** be installed at least 600mm above the floor in order to avoid risk of harm to young children.

- The appliance is used for warming and drying towels, therefore it is hot to touch. Young children should be supervised when the product is working to ensure that they do not touch the appliance.
- The appliance will feel hotter to touch during summer periods because of the rise in ambient temperature. The insulation effect of towels will cause the operating temperature to increase.
- The appliance should be installed so that switches and other controls cannot be touched by a person in the bath or shower.
- This appliance is **ONLY** used for warming and drying towels. **DO NOT** use it for any other purpose.
- To avoid danger this product **MUST NOT** be used to carry towels or any other articles that have been in contact with oil, petroleum based products or dry cleaning fluids.
- Make sure the voltage complies with the specification on the rating label, or elsewhere in these instructions.
- For your safety and others, make sure the electrical work is done by an authorised person according to AS/NZS 3000 Wiring Rules and Regulations.

Care Instructions

Note: Damage caused by improper use or negligent cleaning is not covered by warranty. Refer to warranty terms and conditions.

Every 3 weeks use a soft, clean cloth moistened with warm soapy water to clean off any debris. Dry ladder afterwards.

Fine scratches in the Chrome (only) finish can be removed with Autosol or Brasso paste, both of which are available from supermarkets and car care outlets throughout New Zealand.

DO NOT clean with any corrosive or abrasive cleaning agents, including steel wool / scourers.

DO NOT use any cleaning agents containing acids.



Warranty Conditions

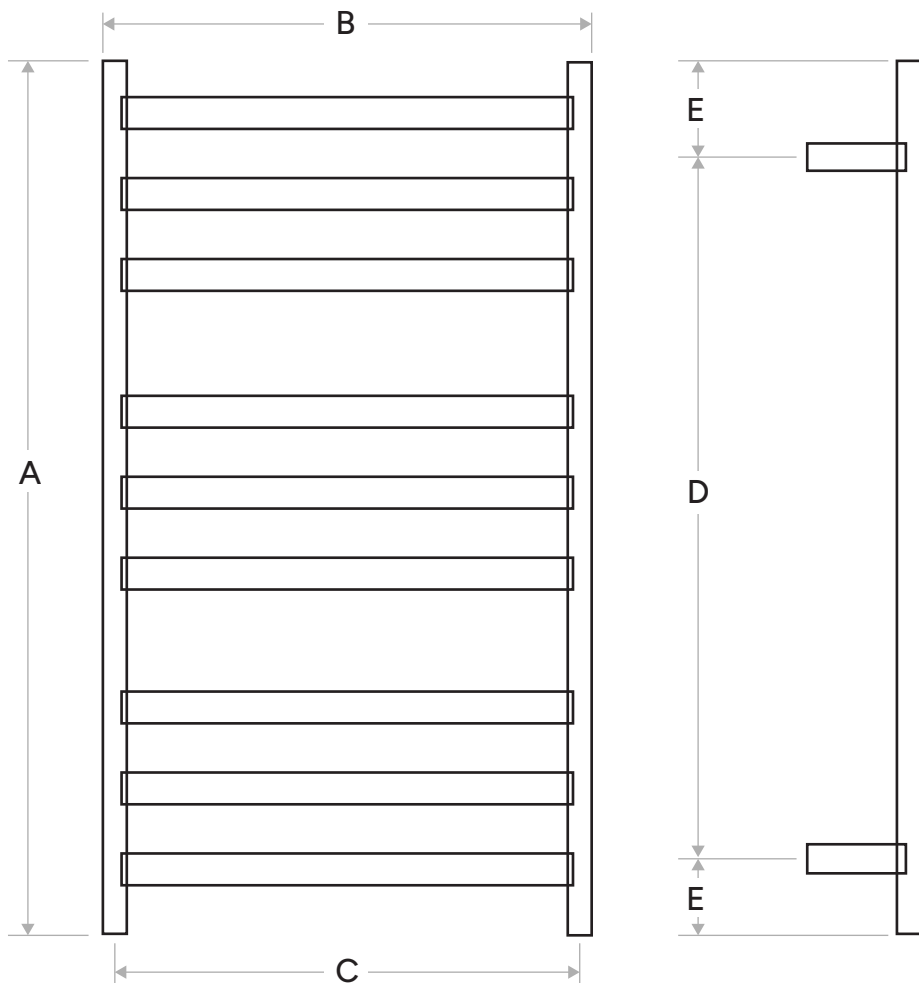
This warranty will apply only under all of the following conditions:

- The item has been installed by a qualified tradesmen.
- If failure is due to a fault in the manufacturing of the product.
- Proof of purchase (including the date of purchase) is provided.

This warranty does not cover products purchased as ex-display with out being fully checked and tested for sale by the manufacturer.



Lineare Ladder Specifications



Variations:

Ladder Size	A	B	C	D	E
900x500mm	900mm	500mm	475mm	705mm	97.5mm
1050x650mm	1050mm	650mm	625mm	855mm	97.5mm
1200x500mm	1200mm	500mm	475mm	1005mm	97.5mm

Installation Guide

Thank you for choosing to install our Code Interiors Lineare Heated Towel Ladder. We have prepared these instructions to help you install the product both easily and successfully.

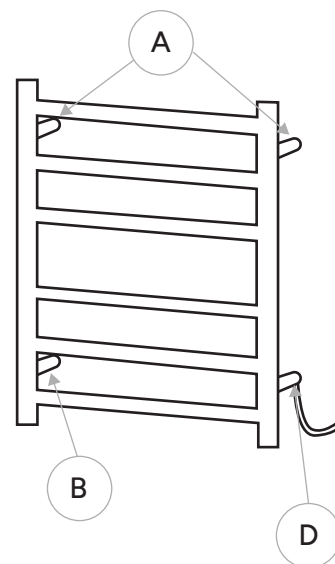
Warning:

- This appliance **MUST** be installed by a licensed and registered electrician.
- In order to avoid hazards for children, this appliance shall be installed so the lowest part of the ladder is at least 600mm above the finished floor level.
- If the supplied cord is damaged it must be replaced by the manufacturer prior to installing.

Methods of Installation

Exposed Wiring Installation:

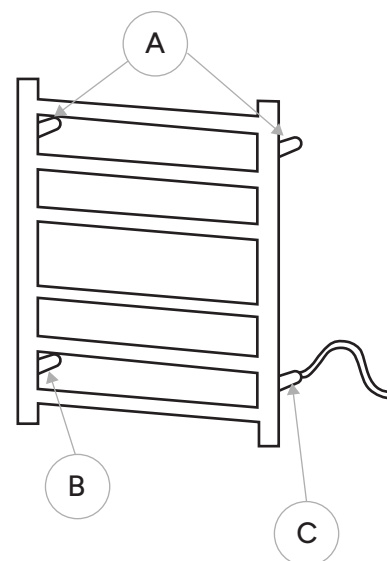
- 'A' indicates the two structural brackets which fix the towel rail to the wall. The towel rail must be installed with these brackets at the top. They are installed using method A on page 7.
- 'B' and 'D' indicate the two choices for the power connection (left hand side or right hand side). Which ever bracket you choose, see method D on page 7 for installation. The remaining bracket is installed using method B.



You must make sure the remaining socket is sealed well with fitted cap to prevent moisture entering the electrical connection.

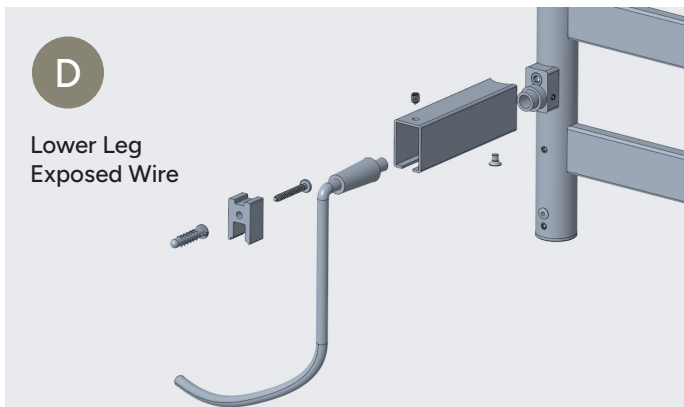
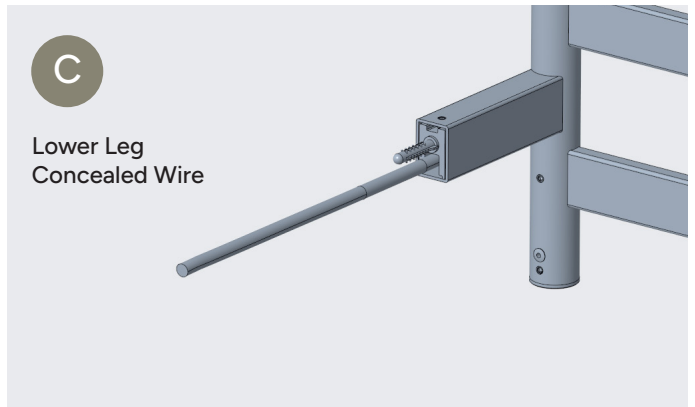
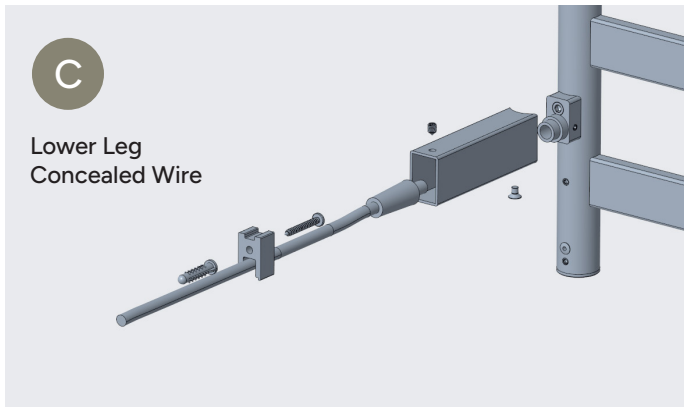
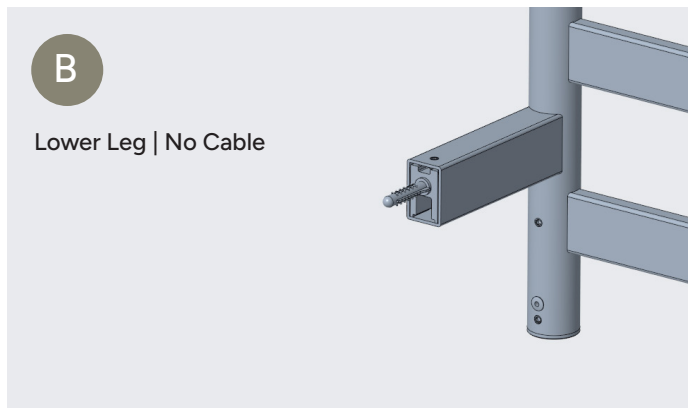
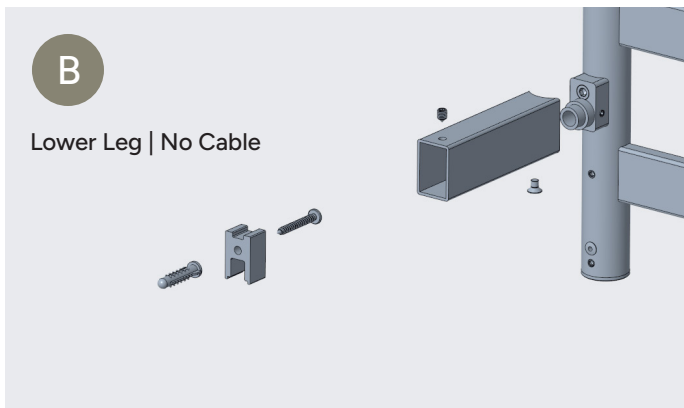
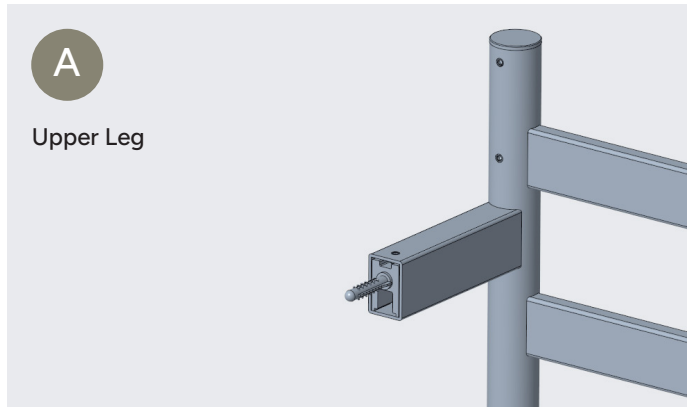
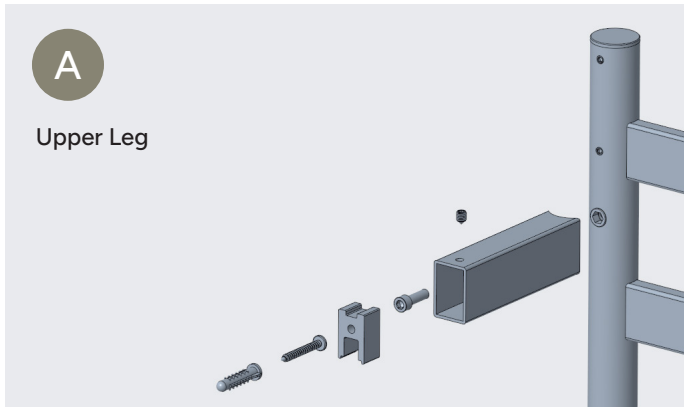
Concealed Wiring Installation:

- 'A' indicates the two structural brackets which fix the towel rail to the wall. The towel rail must be installed with these brackets at the top. They are installed using method A.
- 'B' and 'C' indicate the two choices for the power connection (left hand side or right hand side). Which ever bracket you choose, see method C on page 7 for installation. The remaining bracket is installed using method B on page 7.



You must make sure the remaining socket is sealed well with fitted cap to prevent moisture entering the electrical connection.

Bracket Installation Methods



Warranty

1. The purchaser carefully follows all instructions packed with the product;
2. The purchaser carefully follows the installation instructions provided and complies with the electrical wiring regulations;
3. The purchaser carefully follows the instructions provided in the installation guide relating to the proper use and care of the product and does not use the product for any other purpose other than which it has been designed;
4. This product was purchased and installed in New Zealand or Australia;
5. This warranty does NOT extend to:
 - A. Damage to the surface coatings caused by cleaning or maintenance using products not recommended in the installation guide;
 - B. Defects caused by normal wear and tear, accidents, negligence;
 - C. The product has been dismantled, repaired personally rather than by a professional service man;
 - D. The product has been misused, abused, incorrectly installed, connected to an electrical supply not corresponding with the rated specification, or subjected to power surges;
6. If this product fails to work well, please get in contact with Code Interiors or from whom you purchased this product from. When you do this, please make sure the warranty card and purchase invoice or receipt is presented with the product. After you get a fixed or replaced product, the warranty period will be the balance or the original warranty period.
7. If the warranty period is expired, the product should be presented to a qualified electrical service agent or authorised professional worker to be fixed. Related costs will be at the customer's expense.