

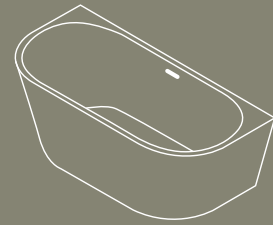
INSTALLATION GUIDE

# Endura Acrylic Baths

- P3 Endura Acrylic Back To Wall Bath
- P5 Endura Acrylic Corner Bath
- P7 Endura Acrylic Freestanding Bath



# Back To Wall Endura Acrylic Bath



## PRE-INSTALLATION CHECKS

Carefully unpack and inspect the item. Confirm that the item is correct and that no damage has occurred during transit. If you find any visible defects, do not proceed with installation. Instead, please contact Code Interiors immediately. Please note that any claims for damage after installation will not be accepted.

Take care in protecting your bath during and after installation. Avoid any actions that could cause scratches, cracks and other surface damage. Such damage is not covered by the warranty.

Install in accordance with regulations. The installation must be in accordance with all applicable building regulations and local authority requirements.

## WARRANTY

Code Interiors products are guaranteed for 10 years against defect in materials and workmanship. Parts and Labour are covered for 1 year.

For full terms and conditions of the warranty or to make a warranty claim please visit the Code Interiors website or contact us on [sales@codeinteriors.co.nz](mailto:sales@codeinteriors.co.nz)



## CARING FOR YOUR ACRYLIC BATH



### ADAPTING TO THE TEMPERATURE

Once your bath has been installed, fill the bathtub with cold water to allow the bath to gradually adapt to the temperature.



### MILD LIQUID DETERGENTS

When deep cleaning your bath, only use mild liquid detergents and warm water. Do not use powders, pastes, creams, chemicals, window cleaning sprays or abrasive cleaners.



### FINE POLISH

If your bath gets scratches on it, we recommend that you use a fine polish to remove them.



### CLEANING YOUR BATH

After using your bath, clean it with a soft cloth and warm soapy water. This will remove any oils or soaps and prevent tide marks from forming.



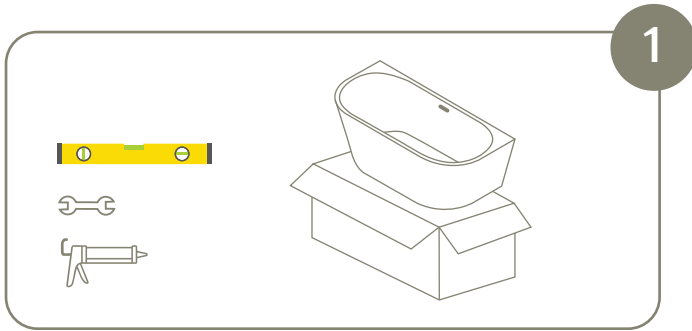
### CREAM CLEANERS

If you have stubborn marks on your bath, please only use cream cleaners to remove them.



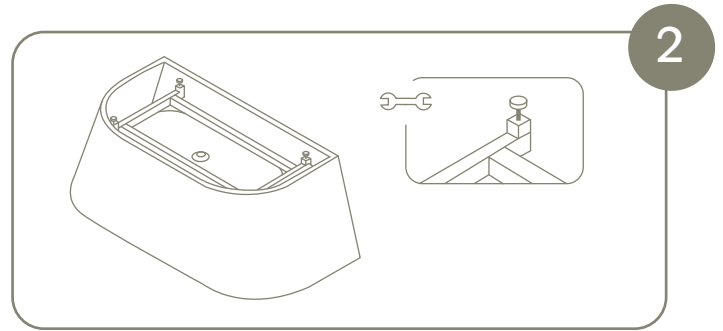
**Note to installer: leave this installation guide for the homeowner.**

# INSTALLATION INSTRUCTIONS



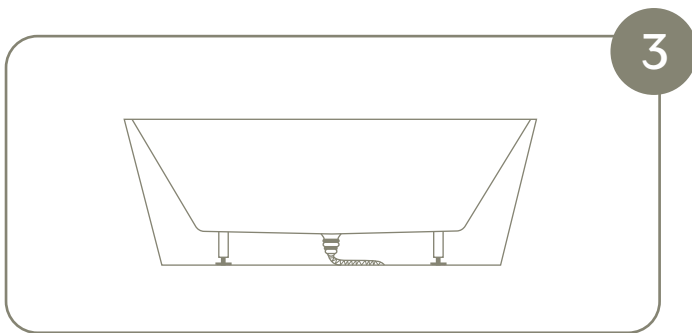
## Step One

Remove your back to wall bath from the packaging and place it in the correct location for installation. Check for any damages on your bath and ensure it is kept away from any rough surfaces or heavy objects during installation.



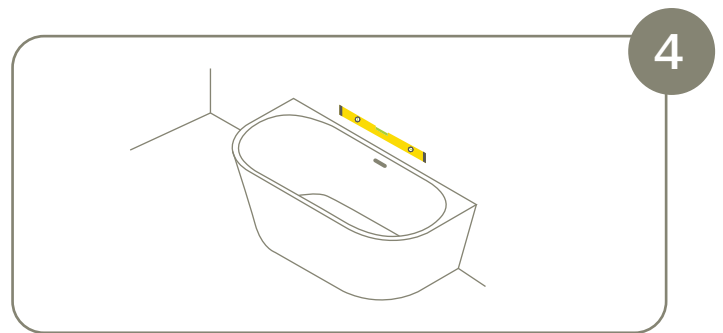
## Step Two

Adjust the levelling feet so that the base of the bath is level and 3-5mm above the finished floor. Use a level to ensure the bath is level, this will ensure that water will drain away smoothly to the waste outlet.



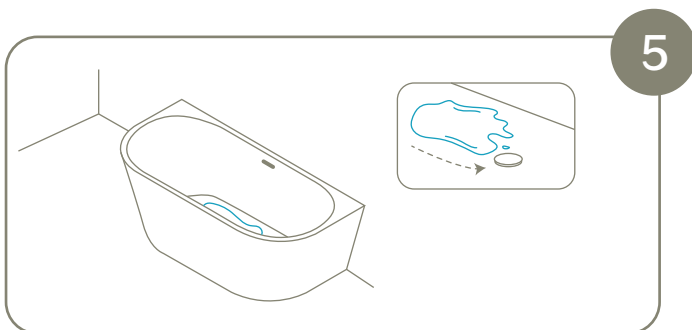
## Step Three

Carefully tilt the bath to connect the drain pipe to the outlet. We recommend using a flexible connector.



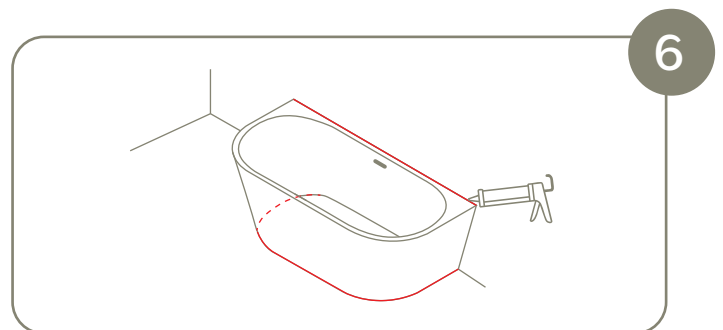
## Step Four

Carefully adjust the bath against the wall to the correct installation position. Please ensure you check and adjust the bath with a level.



## Step Five

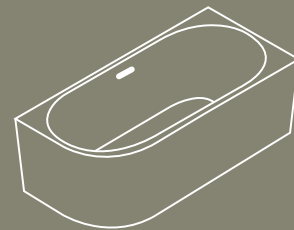
Before sealing in place, fill the bath and leave overnight to check for any leaks. Ensure the drainage is connected correctly and water flows easily through the waste outlet.



## Step Six

Apply silicone along the back edge and around the base of the bath to prevent movement. Allow the silicone to set for 24 hours.

# Corner Endura Acrylic Bath



## PRE-INSTALLATION CHECKS

Carefully unpack and inspect the item. Confirm that the item is correct and that no damage has occurred during transit. If you find any visible defects, do not proceed with installation. Instead, please contact Code Interiors immediately. Please note that any claims for damage after installation will not be accepted.

Take care in protecting your bath during and after installation. Avoid any actions that could cause scratches, cracks and other surface damage. Such damage is not covered by the warranty.

Install in accordance with regulations. The installation must be in accordance with all applicable building regulations and local authority requirements.

## WARRANTY

Code Interiors products are guaranteed for 10 years against defect in materials and workmanship. Parts and Labour are covered for 1 year.

For full terms and conditions of the warranty or to make a warranty claim please visit the Code Interiors website or contact us on [sales@codeinteriors.co.nz](mailto:sales@codeinteriors.co.nz)



## CARING FOR YOUR ACRYLIC BATH



### ADAPTING TO THE TEMPERATURE

Once your bath has been installed, fill the bathtub with cold water to allow the bath to gradually adapt to the temperature.



### MILD LIQUID DETERGENTS

When deep cleaning your bath, only use mild liquid detergents and warm water. Do not use powders, pastes, creams, chemicals, window cleaning sprays or abrasive cleaners.



### FINE POLISH

If your bath gets scratches on it, we recommend that you use a fine polish to remove them.



### CLEANING YOUR BATH

After using your bath, clean it with a soft cloth and warm soapy water. This will remove any oils or soaps and prevent tide marks from forming.



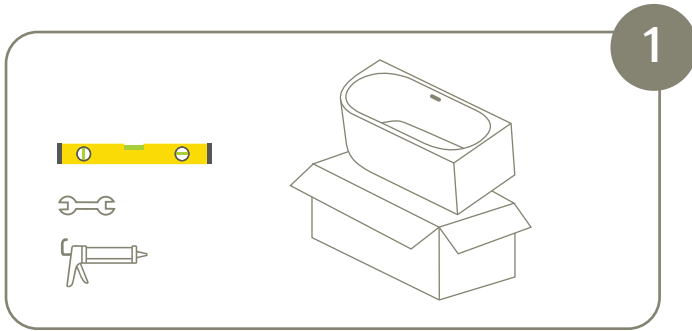
### CREAM CLEANERS

If you have stubborn marks on your bath, please only use cream cleaners to remove them.



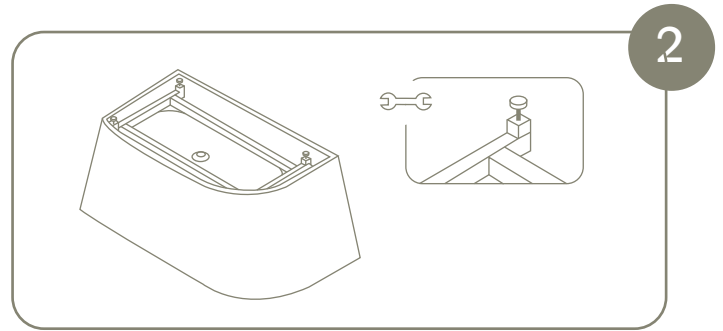
**Note to installer: leave this installation guide for the homeowner.**

# INSTALLATION INSTRUCTIONS



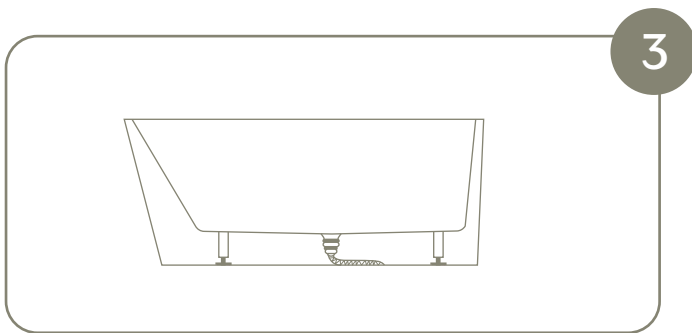
## Step One

Remove your corner bath from the packaging and place it in the correct location for installation. Check for any damages on your bath and ensure it is kept away from any rough surfaces or heavy objects during installation.



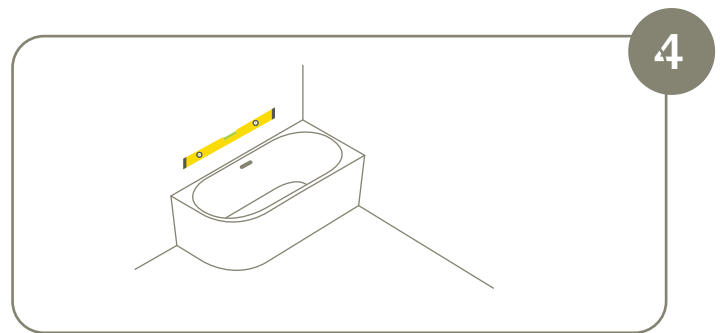
## Step Two

Adjust the levelling feet so that the base of the bath is level and 3-5mm above the finished floor. Use a level to ensure the bath is level, this will ensure that water will drain away smoothly to the waste outlet.



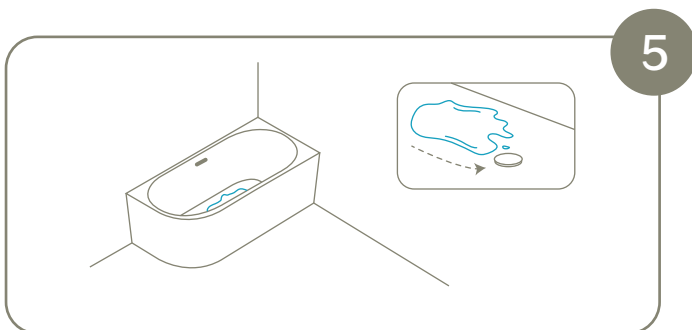
## Step Three

Carefully tilt the bath to connect the drain pipe to the outlet. We recommend using a flexible connector.



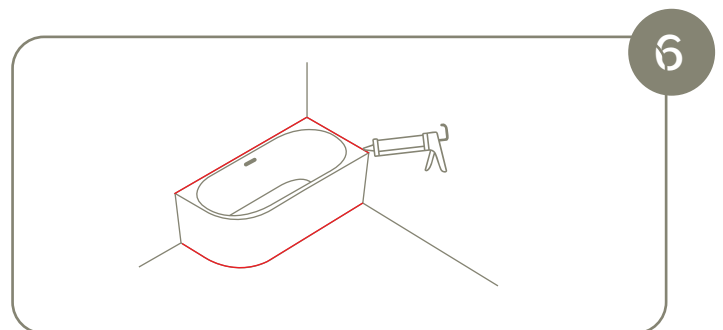
## Step Four

Carefully adjust the bath against the wall to the correct installation position. Please ensure you check and adjust the bath with a level.



## Step Five

Before sealing in place, fill the bath and leave overnight to check for any leaks. Ensure the drainage is connected correctly and water flows easily through the waste outlet.



## Step Six

Apply silicone along the back edge and around the base of the bath to prevent movement. Allow the silicone to set for 24 hours.

# Freestanding Endura Acrylic Bath



## PRE-INSTALLATION CHECKS

Carefully unpack and inspect the item. Confirm that the item is correct and that no damage has occurred during transit. If you find any visible defects, do not proceed with installation. Instead, please contact Code Interiors immediately. Please note that any claims for damage after installation will not be accepted.

Take care in protecting your bath during and after installation. Avoid any actions that could cause scratches, cracks and other surface damage. Such damage is not covered by the warranty.

Install in accordance with regulations. The installation must be in accordance with all applicable building regulations and local authority requirements.

## WARRANTY

Code Interiors products are guaranteed for 10 years against defect in materials and workmanship. Parts and Labour are covered for 1 year.

For full terms and conditions of the warranty or to make a warranty claim please visit the Code Interiors website or contact us on [sales@codeinteriors.co.nz](mailto:sales@codeinteriors.co.nz)



## CARING FOR YOUR ACRYLIC BATH



### ADAPTING TO THE TEMPERATURE

Once your bath has been installed, fill the bathtub with cold water to allow the bath to gradually adapt to the temperature.



### MILD LIQUID DETERGENTS

When deep cleaning your bath, only use mild liquid detergents and warm water. Do not use powders, pastes, creams, chemicals, window cleaning sprays or abrasive cleaners.



### FINE POLISH

If your bath gets scratches on it, we recommend that you use a fine polish to remove them.



### CLEANING YOUR BATH

After using your bath, clean it with a soft cloth and warm soapy water. This will remove any oils or soaps and prevent tide marks from forming.



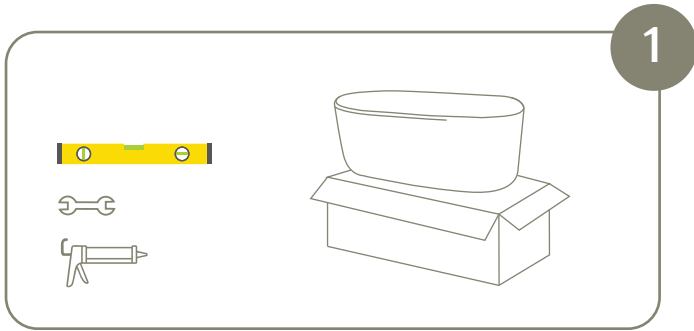
### CREAM CLEANERS

If you have stubborn marks on your bath, please only use cream cleaners to remove them.



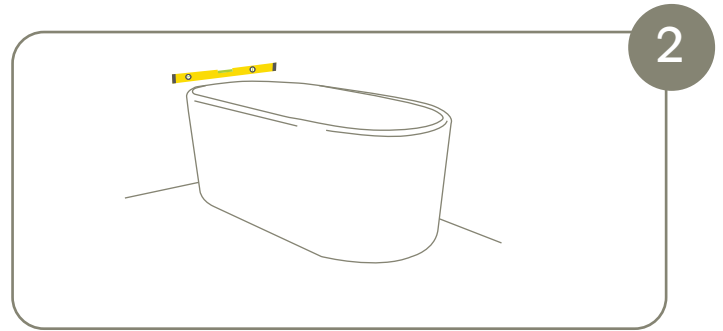
**Note to installer: leave this installation guide for the homeowner.**

# INSTALLATION INSTRUCTIONS



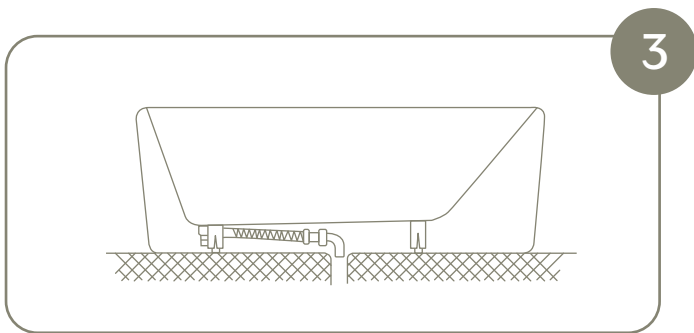
## Step One

Remove your freestanding bath from the packaging and place it in the correct location for installation. Check for any damages on your bath and ensure it is kept away from any rough surfaces or heavy objects during installation.



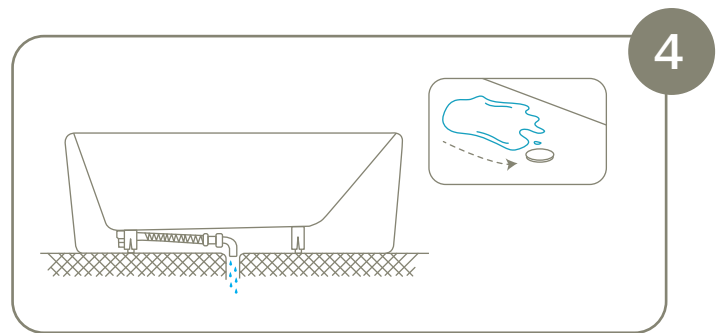
## Step Two

Adjust the levelling feet so that the base of the bath is level and 3-5mm above the finished floor. Use a level to ensure the bath is level, this will ensure that water will drain away smoothly to the waste outlet.



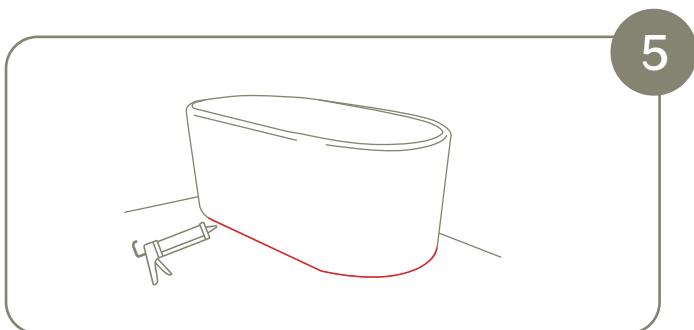
## Step Three

Carefully tilt the bath to connect the drain pipe to the outlet. We recommend using a flexible connector.



## Step Four

Before sealing in place, fill the bath and leave overnight to check for any leaks. Ensure the drainage is connected correctly and water flows easily through the waste outlet.



## Step Five

Apply silicone around the base of the bath to prevent movement. Allow to set for 24 hours before use.